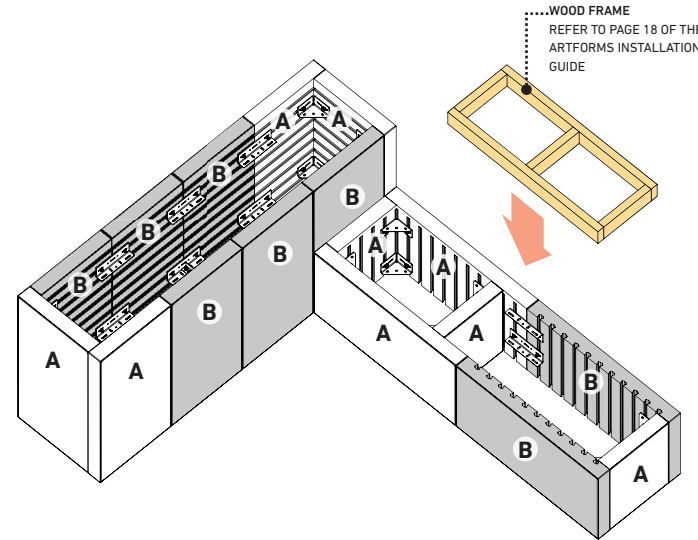


2. CORNER BENCH & PLANTER

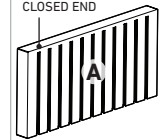
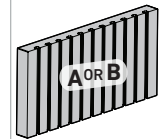




INTERIOR VIEW



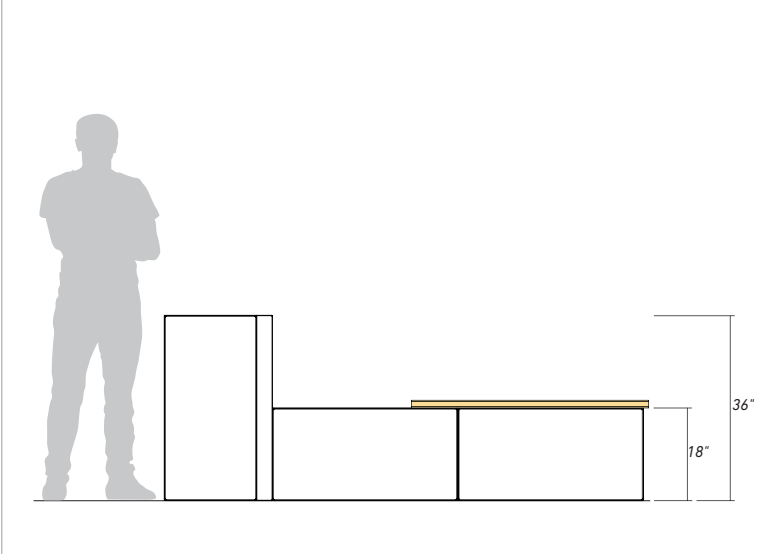
NOTE: Panels "B" can be replaced with panels "A" to equilibrate the pairs/layers. Panels "A" can't be replaced by the panels "B".

REQUIRED PANELS

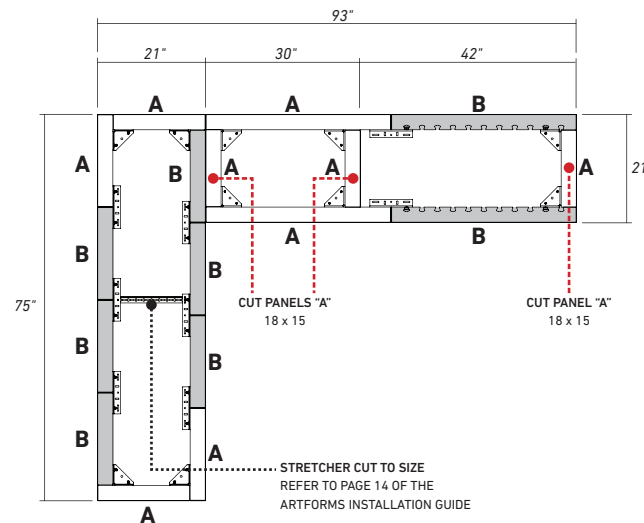
CLOSED END		18 x 36 PANEL	8x
		18 x 36 PANEL	8x
CLOSED END		6 x 36 PANEL	0x
		6 x 36 PANEL	0x

IMPORTANT: 18 x 36 panels are sold in pair/layer or in full pallet only. 6 x 36 panels are sold per unit or in layer or in full pallet.

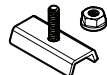
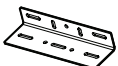
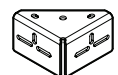


FRONT VIEW



TOP VIEW



REQUIRED HARDWARE

	ANCHOR SLIDE AND NUT	74x
	JOINING PLATE	16x
	OUTER CORNER	20x
	INNER CORNER	0x
	STRETCHER	1x

IMPORTANT: Refer to page 23 of the ARTFORMS INSTALLATION GUIDE about the installation of geotextile in planter box. Contact experts/engineers to validate the base preparation, the drainage, the plants & roots growth/management.